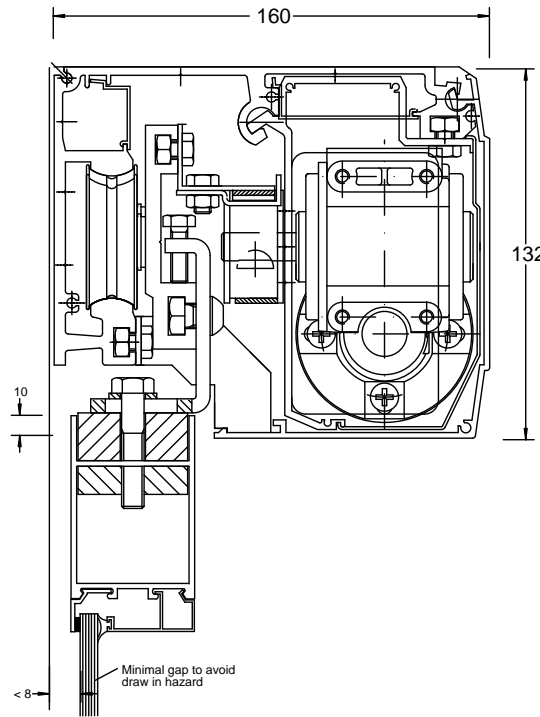


COMPARE ADIS ADVANTAGES

- NATA tested with 300kg doors to comply with Australian Standards
- ADIS is Australian owned and Australian manufactured.
- Slim line modern design only 132 mm in overall track height.
- Compact modular design of motor drive system.
- Latest digital microprocessor controller to gain more exact control of the door operator.
- Provision to interface with building security and fire systems.
- Over engineered to take total door weights of up to 300Kg (max single leaf door weight of 150 Kg).
- The main transom housing is hard coated anodized to give smooth operation of the exclusive dual track system.
- No exposed wiring due to concealed wiring system.
- UPS Lithium (Uninterrupted Power Supply) can allow doors to continue to operate under a power failure. This optional extra allows the ADIS NGA operator to work 800 cycles or 28hours after disruption
- Improved multiple safety features to ensure maximum user safety.
- High security electric motor locking system with battery reserve back up.
- Zone activation sensor system that uses latest presence detection technology to improve overall safety.
- Unique interlocking cover pelmet which prevents any chances of pelmet cover dislodging from the main track system. An added safety feature



BACK UP SERVICE

- Fully qualified technicians to meet our high standard of company service.
- A complete 24 hour, 7 days a week, ongoing preventive maintenance service in Australian capitol cities.
- Extensive nationwide service network via our 1800 number and service agents

TECHNICAL SPECIFICATIONS

Opening width maximum	4000 mm	Safety beam shut off when closed	Yes
Operator length up to	8000 mm	Fire alarm activation	Yes
Total combined weight for biparting doors	300 Kg	Chime outlet	Yes
Door weight per leaf	150 Kg	Exit only function	Yes
Opening speed per double leaf variable	25-1300 mm/sec	Battery Backup	Yes
Closing speed per double leaf variable	25-1300 mm/sec	UPS Lithium in all conditions	Optional
Door open dwell time, variable	0-60 sec	Closed positional signal	Yes
Manual opening/ closing force	<math>< 30</math> N	Operator monitor signal	Yes
Operator size height/depth	132 mm / 155 mm	Open closed positional signal	Yes
Fail safe	Yes	Memory setting retained without power	Yes
High security electric locking	Optional	Operating Power	24 Volts
Lock every cycle option when motor lock used	Yes	Appliance Rating	40 Watts
Press closed function	Yes	Memory setting retained without power	Yes
Climate control (reduced opening) function	Yes	4Kva power surge suppression	Yes
Noise attenuation	32 db	Power supply	240V/10Amp
Keypad control	Yes		
Safety stop	Yes		
Safety return	Yes		

ADIS

AUTOMATIC DOORS

INTRODUCES

NGA SERIES



ADIS
AUTOMATIC DOORS

3/413 VICTORIA STREET - WETHERILL PARK NSW 2164 AUSTRALIA
 PHONE: +612 9757 4600 - FAX: +612 9757 4233
 TOLL FREE PHONE: 1800 600 602 - TOLL FREE FAX: 1300 ADIS FAX
 EMAIL: INFO@AUTODOORS.COM.AU
 VISIT OUR WEBSITE: WWW.AUTODOORS.COM.AU

HEAVY DUTY AUTOMATIC SLIDING DOOR
 OPERATORS FOR ALUMINIUM DOORS

STRONGER
 QUIETER
 COMPACT

NATA Tested on doors weighing 300kg for a million cycles in compliance with AS 5007



The Company

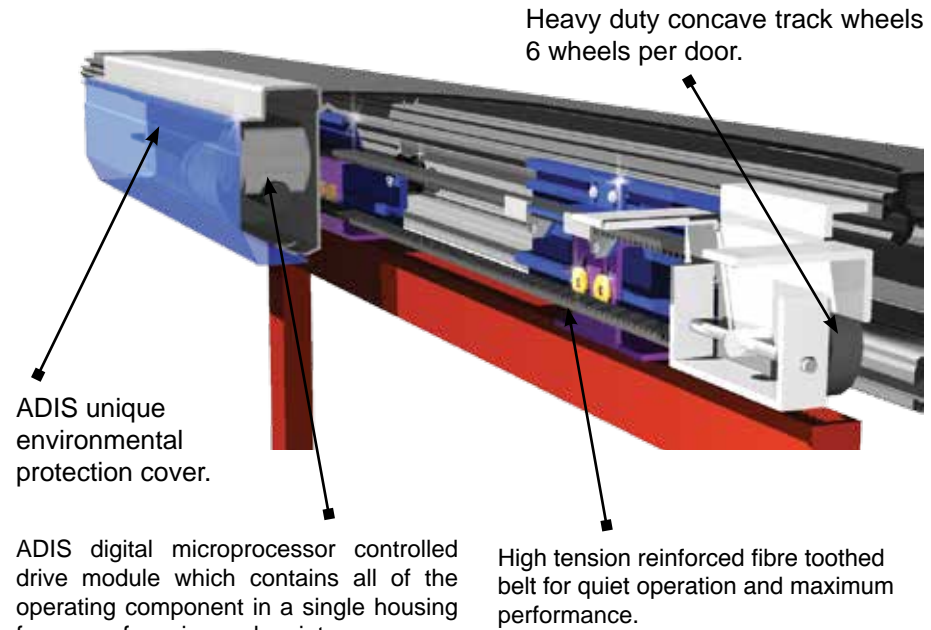
ADIS AUTOMATIC DOORS is a fully Australian owned and operated company.

The name ADIS simply means, Automatic Door Installation Services. The company has over 35 years of experience in the Automatic Doors Industry.

ADIS philosophy is provide a high quality product at a competitive price backed by the highest standard of back up service to achieve total customer satisfaction. The introduction of the Next Generation Series of Automatic Door operators is a major advancement in automatic doors technology in the Australian and global automatic door markets. This series includes the most advanced features available in the world.

ADIS research and design team have developed the NG series of door equipment to ensure maximum performance, durability and reliability, plus compatibility with the Australian Standard AS 5007-2007.

ADIS Automatic Doors have been successful in achieving the AUSTRALIAN DESIGN AWARD for excellence in product design & excellence in product efficiency.



Australian Design Award



Quiet Operation

Tracking system is dual linear, which is designed for high security and long life service. The carriage assemblies are fitted with unique track wheels that eliminate the possibility of the doors disengagement from the track.

High Security Locking

The Next Generation Series operators utilizes a purpose built motor which includes an electric locking system to ensure that the doors can be securely fixed in any position. This method of locking ensures the highest level of security.



Features:

- Slim line Modern Design
- Australian Made
- Designed for Australian Standards
- Compact Modular Motor Design
- High Security Electric Locking
- High performance Lithium-ion Battery UPS
- Energy Efficient Low Power Consumption
- Electrical power surge protection up to 4Kva

Advanced Technology

ADIS utilizes the latest in digital microprocessor technology, giving the control unit multiple programmable modes including: - provision to interface with building security system, monitoring the doors position and locks status, built-in battery. The microprocessor operating parameters can be adjusted to accommodate various climatic conditions and specific site requirements in relation to speed, braking etc. Safety is a priority: The ADIS microprocessor will automatically reverse operation while the door is closing, should the doors be obstructed. Active infrared safety sensors are included to focus across the doorway to halt and open the doors immediately upon the sensor detecting an obstruction.

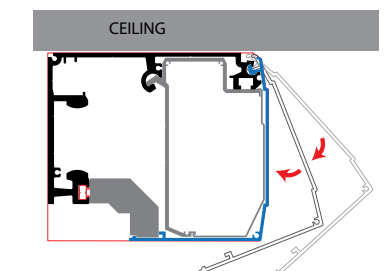
Mode selector pad

A digital touch pad is supplied to control the doors mode of operation; this user-friendly device is accessible via a lock code and has the following modes: Auto, Lock, Exit, Hold open, Climate and Off.



Pelmet Hinge

The ADIS pelmet design features a unique interlocking hinge to provide secure closure and maximum cover even when mounted hard up against the ceiling.



Security airlock for banks



Foyers for apartments



Shopping centres



Cinemas & Theaters



Office security screens



Bus Transit Station



Segmented Doorways



Hospitals and Medical Centres



Showrooms

Framed Glass Entries